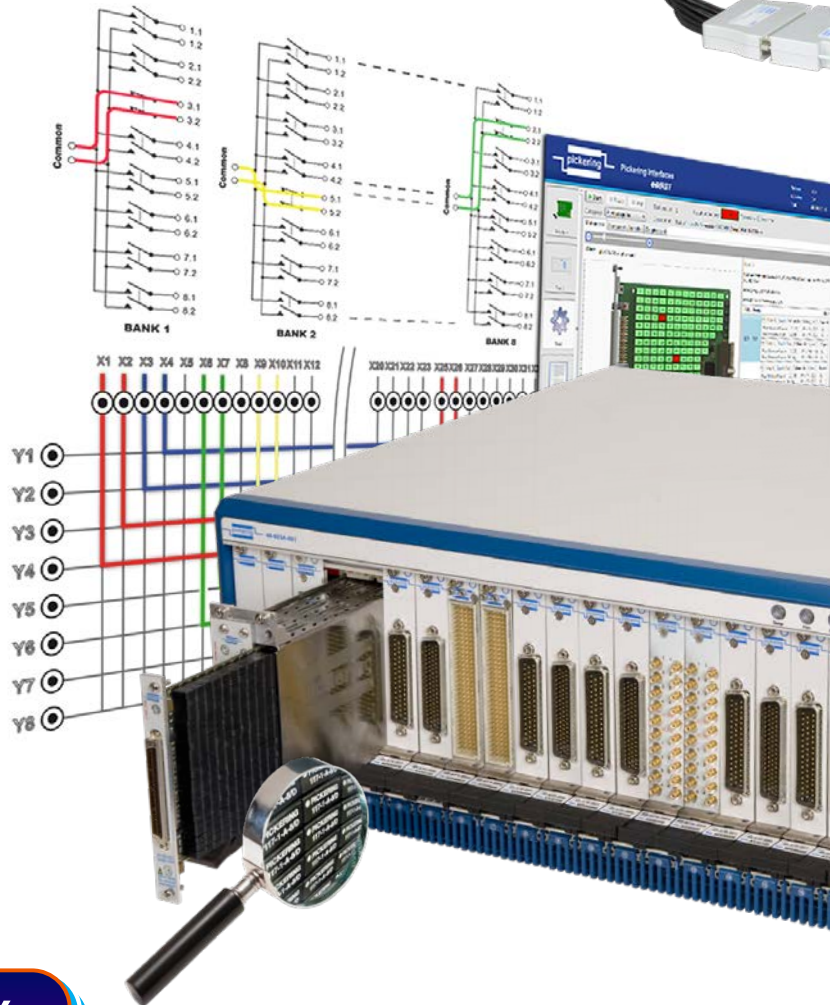


eBIRST

Switching System Test Tools

- Quickly determine if your switching system has faults
- Identify fault location at relay level allowing fast corrective action
- Minimize downtime of the switching system
- Save repair costs



eBIRST

**3 Year
Warranty**

eBIRST Switching System Test Tools

Our **eBIRST** tools quickly determine if a switching system has faults, identifies the location of the fault at relay level and allows the user to take fast corrective action. Ultimately saving repair costs and minimizing the downtime of the switching system.

By the use of three **eBIRST** test tools and a set of interface adaptors, any of our PXI, PCI and LXI controlled switching systems that use mechanical relays with precious metal contacts (typically contacts with a rating of 2A or less) or solid state relays are supported. DC coupled RF systems using SMB connectors are supported thru the use of test adaptors. Each tool is generic—it will support DC coupled switching systems that use multi-way connectors. The tools work by measuring the DC path resistance at the switching system connectors, quickly establishing if the path is good, has increased resistance, or has failed.

The eBIRST tools are self-contained, all you need is a USB2 port on a PC running Windows® and the supplied application program. The breadth of Pickering Interfaces switching systems supported by eBIRST is being continually expanded in response to user requests.



Test Tools

Three test tools with 200-2ay LFH, 78-way D and 50-way D connectors that perform the measurement.

Adaptors

Set of adaptors that allow extension to other switching system connectors, including SMB.



Verification Fixtures

Each test tool has an optional verification fixture that can be used to confirm that the tool is working correctly.

Master/Slave Cable

Required to connect two eBIRST tools together for applications requiring two tools to test thru paths.



Why choose Pickering products supported by *eBIRST*?

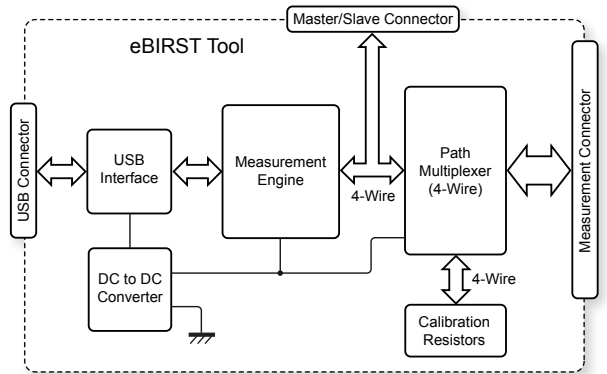
Only Pickering Interfaces offers this level of support for its switching systems. With other switching system vendors, you will have first to establish what sub-assembly or module is faulty, and then test the individual modules to find which relay(s) have failed. You can do this manually, consuming hours of engineer or technician time, or you can try to write your own self-test program as part of the test system design to diagnose connectivity faults. Again, consuming hours of your engineer's time gaining knowledge of the test system and how the switching system is put together. Even so, there is always the risk of an incorrect diagnosis leading to the wrong components being replaced, causing unnecessary stress on the switching system parts.

eBIRST tools will quickly test the switching system, locate the faulty relay and inform you what relays to replace via a graphical output. Downtime is considerably reduced, and the problems of misdiagnosed faults causing ineffective repairs to be carried out are minimized.

	<i>eBIRST</i>	Manual or System Test
• Equipment required	Tool set to support specific connectors used in switching system.	None if already part of the system.
• User software investment	None, application program provided.	Responsibility of user or integrator.
• Cost	Low, tools can be shared across multiple requirements.	High software investment for each test system requirement.
• Ease of fault identification	Simple, tool finds specific relay and its physical location.	Typically restricted to identifying a faulty path from which the most likely relay fault needs to be via a schematic diagram.
• Fault coverage	100% coverage of relay faults in a switching system.	Typically identifies only a general indication of fault paths, includes cable faults but unable to easily distinguish from relay faults.
• Repair time	Short, identifies all the faults and displays their physical location.	Longer, the user has to identify faulty relays and find their physical location using the manual.
• Chance of misdiagnosed repairs	Short	Longer, especially if the fault leads to the switching system being sent back to the vendor for repair.

How eBIRST tools operate

These tools perform a resistance measurement between any designated pins on the switching system, either directly or via an adaptor. No supporting equipment is required other than the eBIRST tools. Power for the tools is provided by the USB control port. The test for each type of our switching systems is determined by a Test Definition File available along with the application software for a Windows PC, there is no charge for the software. Each tool is generic since it applies to any of our switching systems using the designated connector and incorporating precious metal switching contacts.

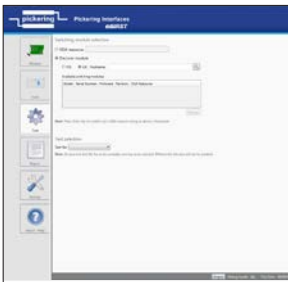


eBIRST Tool Functional Diagram

Some applications require the use of two tools to allow the testing of paths between two connectors of the same type or different. Two tools work together in a master/slave mode via a connection between their master/slave connectors to measure the thru path.

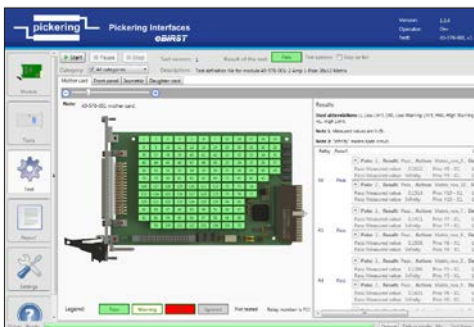
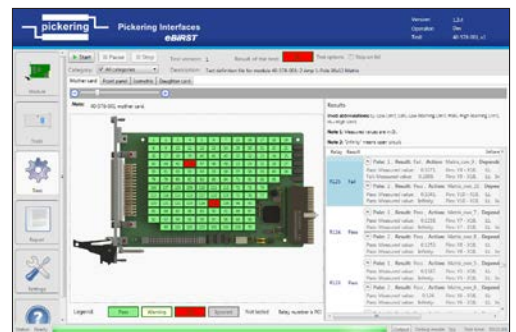
Running the Test

Connect the eBIRST tool to the switching system. For RF systems, use the 50-way D-type tool with the eBIRST coaxial adaptor to convert from 50-way D-type to SMB.



Run the application program, for each switching system to be tested there is a Test Definition File that describes the tests to be performed and the limits to be applied.

Check the test results on the graphical display, this display identifies the relays that need attention and where they are physically located on the switching system. No need to refer to manuals to identify where the relays are located, the tool makes fault location information easily identifiable to simplify the repair.



Carry out repairs as required, reconnect the test tool and run the application program again to check that repairs were successful.

Re-deploy the switching system with a minimum of downtime.

What can *eBIRST* test?

The number of our switching systems supported by eBIRST will grow as new products are released, and requests to support additional ones are received. Models supported are indicated on product data sheets and web pages, if the model of interest to you is not supported contact your local sales office and we will create the required Test Definition File. Once you own a tool, its model coverage can be expanded by updating the application software. Supported PXI products can be tested in either a PXI Chassis or our LXI Modular Chassis.



PXI Reed Relay Modules

All of our PXI Reed Relay Modules are supported.

PXI EMR Modules

All of our PXI based EMR solutions that use contacts that have a consistent path resistance for signal levels of 5V and 30mA.



PXI Solid State Modules

All of our PXI Solid State Modules are supported.



PXI BRICs

Any of our BRIC matrices with a rating of 2A or less by using two tools in a master/slave arrangement.

LXI Switching Systems

Any of our LXI switching system with a current rating of 2A or less.



PCI Switching Cards

All PCI Switching Cards are supported.

Support

Pickering Interfaces Knowledgebase

More information on the principles behind our **eBIRST** and **BIRST** diagnostic test tools can be found on our Knowledge Base at: www.pickeringtest.com/kb

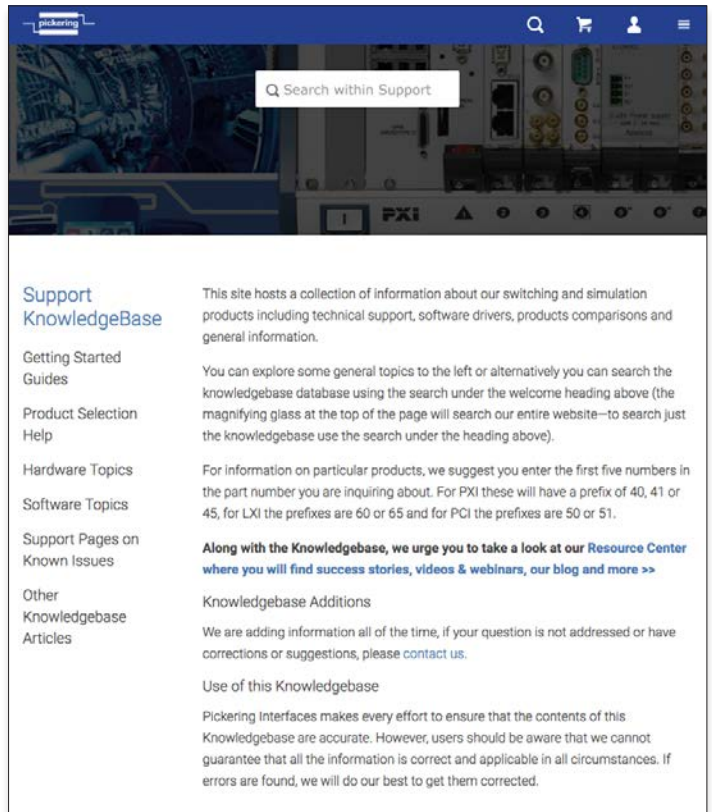
Pickering Support for Switching

No other switching systems supplier provides the level of support for their products as we do.

In addition to our **eBIRST** tools, some of our switching systems are supported by our Built-In Relay Self-Test (**BIRST™**). **BIRST** available on selected models and requires no tool investment.

The **eBIRST** and **BIRST** diagnostic test tools reduce the cost of ownership of switching systems by making it easy to maintain and verify the systems are functioning correctly.

We also offer a wide range of cabling solutions, making it simpler and quicker to integrate your switching system into the test system. We offer standard and custom cabling solutions supporting all the connectors used on our switching systems. If you have a cabling requirement, please feel free to contact us.



Direct Sales & Support Offices

Pickering Interfaces Inc., USA
Tel: +1 781-897-1710 | e-mail: ussales@pickeringtest.com

Pickering Interfaces Ltd., UK
Tel: +44 (0)1255-687900 | e-mail: sales@pickeringtest.com

Pickering Interfaces Sarl, France
Tel: +33 9 72 58 77 00 | e-mail: frsales@pickeringtest.com

Pickering Interfaces GmbH, Germany
Tel: +49 89 125 953 160 | e-mail: desales@pickeringtest.com

Pickering Interfaces AB, Sweden
Tel: +46 340-69 06 69 | e-mail: ndsales@pickeringtest.com

Pickering Interfaces s.r.o., Czech Republic
Tel: +420 558 987 613 | e-mail: desales@pickeringtest.com

Pickering Interfaces, China
Tel: +86 4008-799-765 | e-mail: chinasales@pickeringtest.com

Local Sales Representative/Agents in Australia, Belgium, Canada, China, India, Indonesia, Israel, Italy, Japan, Malaysia, Netherlands, New Zealand, Philippines, Singapore, South Korea, Spain, Taiwan, Thailand, Vietnam and throughout the USA.

Pickering Interfaces, the Pickering Interfaces logo and BRIC are trademarks of Pickering Interfaces. All other brand and product names are trademarks or registered trademarks of their respective owners. Information contained in this document is summary in nature and subject to change without notice.
© Pickering Interfaces 2019 – All rights reserved
July 2019 - LIT-032 Issue 3